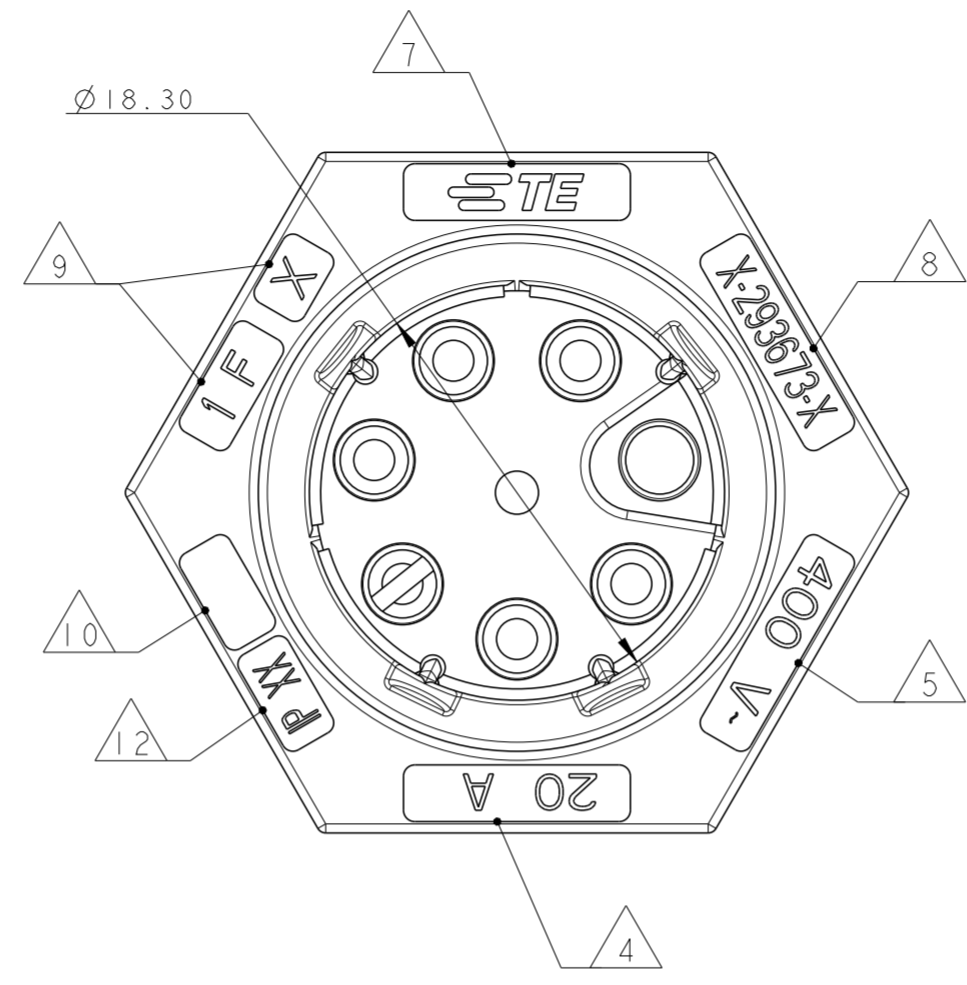
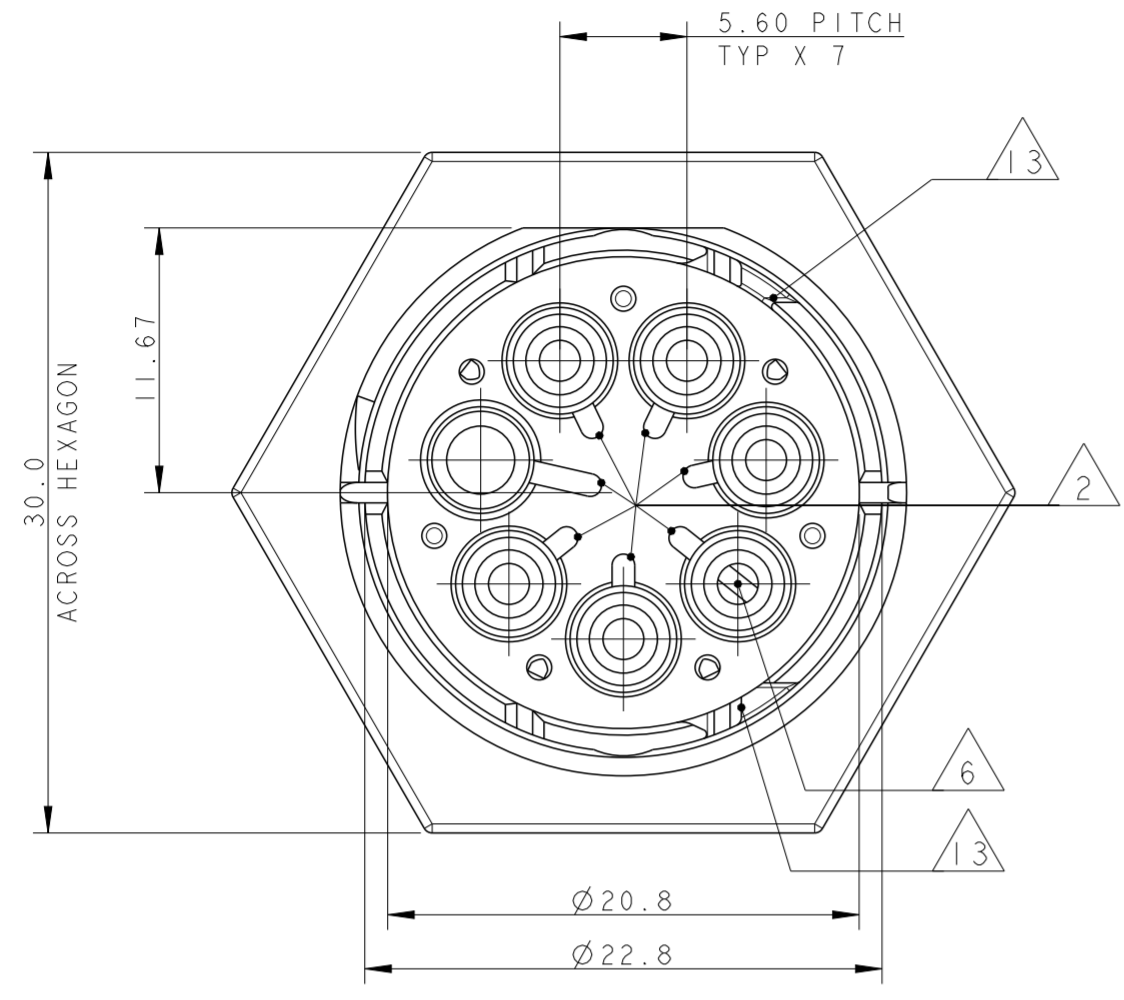
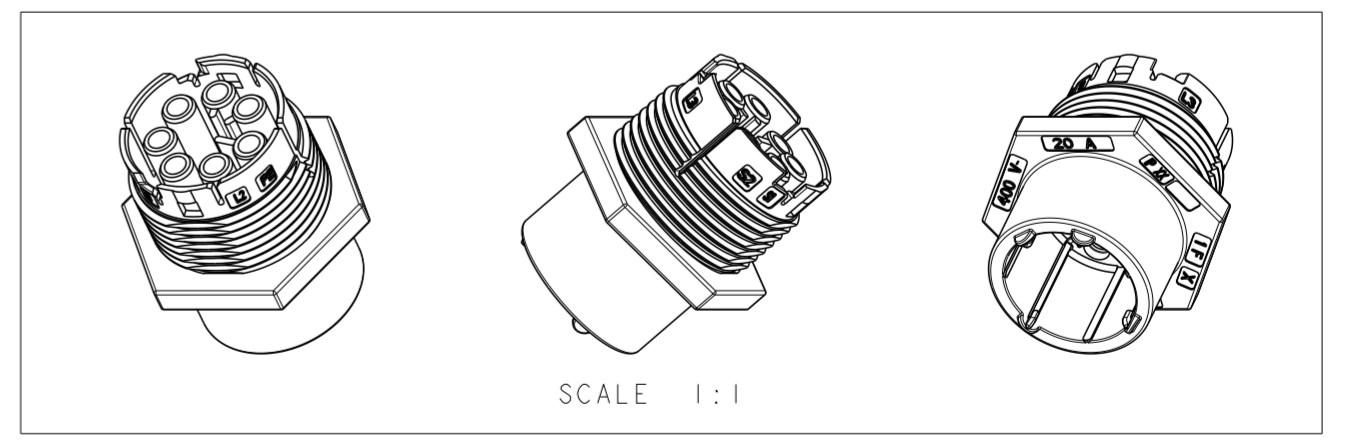
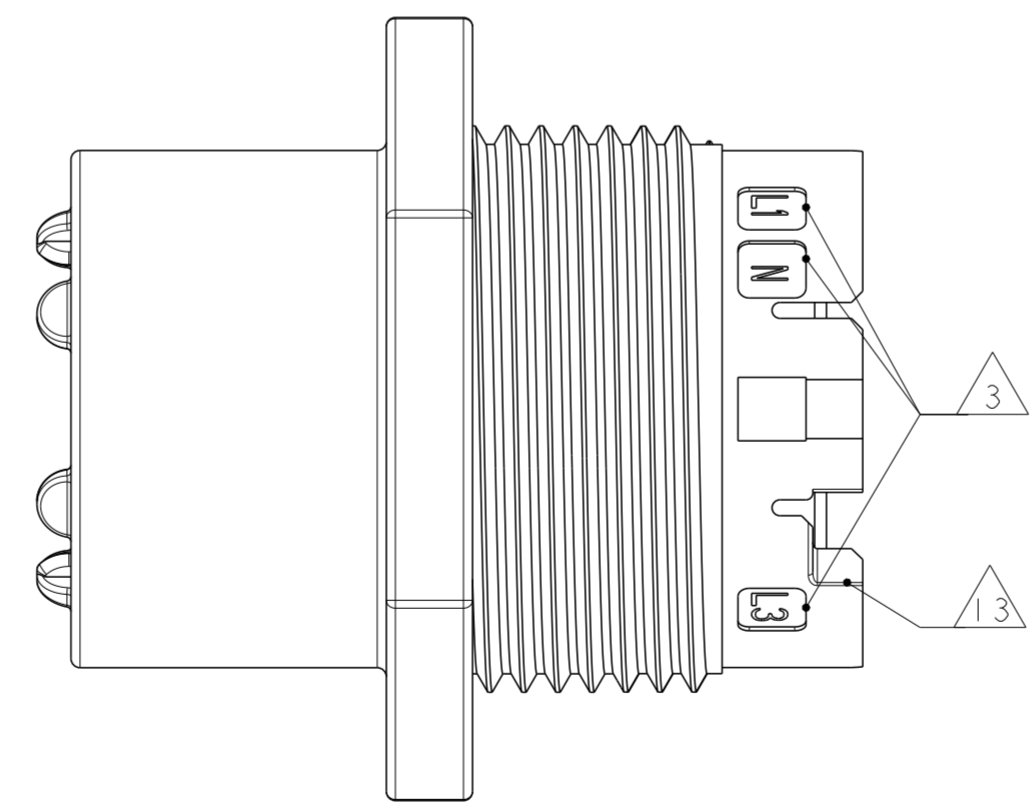
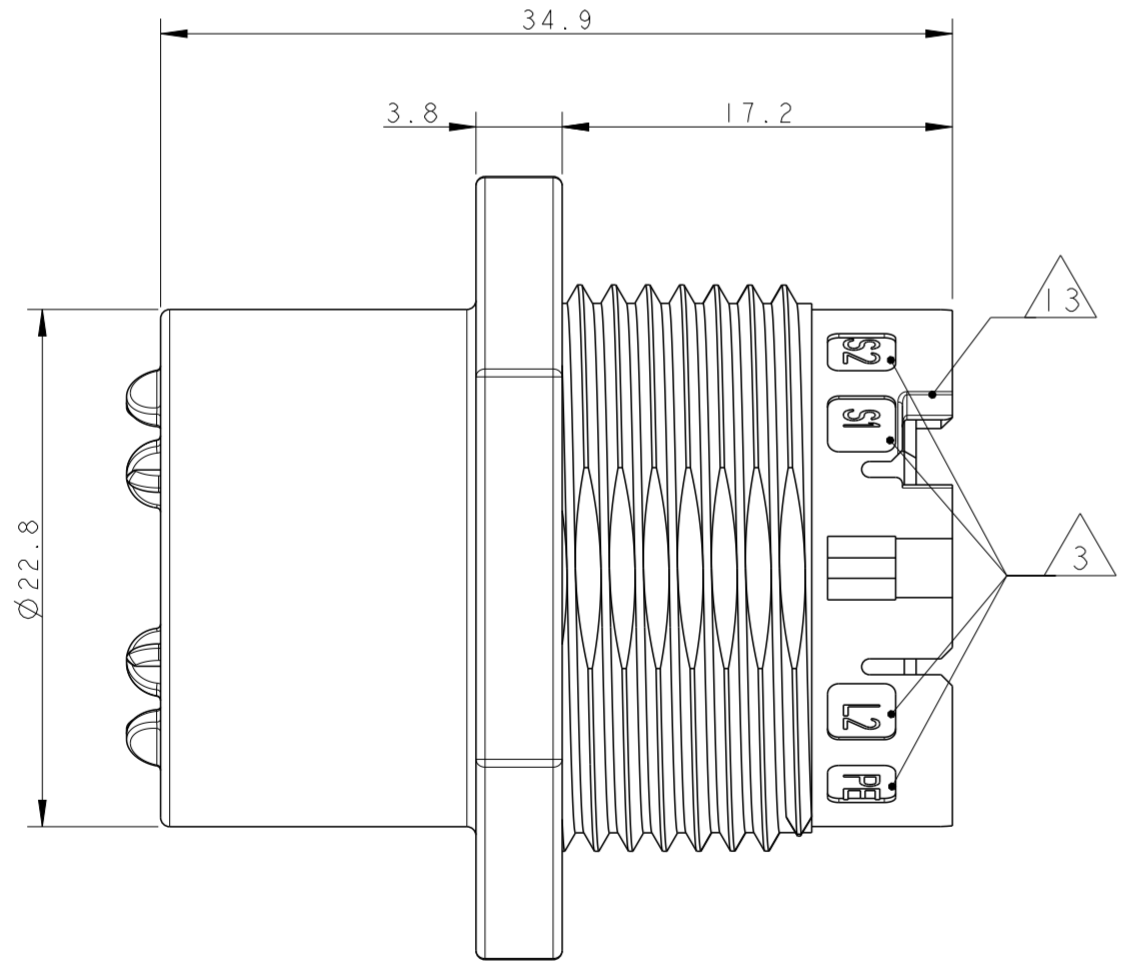


THIS DRAWING IS UNPUBLISHED. RELEASED FOR PUBLICATION 2011
 © COPYRIGHT 2011 BY - ALL RIGHTS RESERVED.

| LOC | DIST | REVISIONS | | | | | |
|-----|------|-----------|-----|-------------------------------|-----------|-----|------|
| | | P | LTR | DESCRIPTION | DATE | DWN | APVD |
| | | 6 | | UPDATED | 23JUL2013 | MZ | JC |
| | | 7 | | REVISED MARKINGS | 17SEP2013 | KR | JC |
| | | A | | PARTS RELEASED FOR PRODUCTION | 13NOV2013 | KR | JC |
| | | C | | ECR-15-011011 | 27JUL2015 | RS | PO |



- NOTES:
- 1 MATERIAL: PA GF (NATURAL AND BLACK COLOUR)
 - 2 ALL POLARIZATION KEYS SHOWN FOR REF ONLY
 - 3 WAYS I.D.
 - 4 CURRENT RATING
 - 5 VOLTAGE RATING
 - 6 RIB CLOSING CAVITIES BY CHANGE OVER
 - 7 TE LOGO
 - 8 TE PART NUMBER
 - 9 DATA CODE AND CAVITY I.D.
 - 10 AREA FOR AGENCIES APPROVAL LOGO
 - 11) SEE C-DRAWING 293682 (LOCKING CAP) TO GET IP 40
 - 12 IP CODE
 - 13 SLOTS TO ALLOW DEALTCHING TOOL OPERATION. FOR DEALTCHING TOOL AND DOPERATION REFER TO APPLICATION SPECIFICATION



| | | | | |
|---|--|--------------------------------|--|---------------------|
| THIS DRAWING IS A CONTROLLED DOCUMENT. | | DWN A. BERNARD 31MAR2011 | TE Connectivity | |
| DIMENSIONS: mm | | CHK M. ZUCCA 31MAR2011 | | |
| TOLERANCES UNLESS OTHERWISE SPECIFIED: | | APVD G. TURCO 31MAR2011 | NAME SKT HOUSING 6 POLES PANEL MOUNT NECTOR M-LINE UNSEALED VERSION | |
| 0 PLC ±- 1 PLC ±0.3 2 PLC ±0.20 3 PLC ±- 4 PLC ±- ANGLES ±3° FINISH | | PRODUCT SPEC 108-20324 | SIZE 114-20169 | CAGE CODE A20779 |
| MATERIAL | | APPLICATION SPEC 114-20169 | DRAWING NO C-293673 | RESTRICTED TO - |
| NOTE 1 | | WEIGHT - | SCALE 3:1 | SHEET 1 OF 3 |
| | | Customer Drawing | | REV C |

THIS DRAWING IS UNPUBLISHED. RELEASED FOR PUBLICATION 2011
 © COPYRIGHT 2011 BY - ALL RIGHTS RESERVED.

| LOC | | DIST | | REVISIONS | | | |
|-----|-----|-------------|------|-----------|------|--|--|
| P | LTR | DESCRIPTION | DATE | DWN | APVD | | |
| - | - | SEE SHEET 1 | - | - | - | | |
| | | | | | | | |
| | | | | | | | |

POLARIZATION TYPES

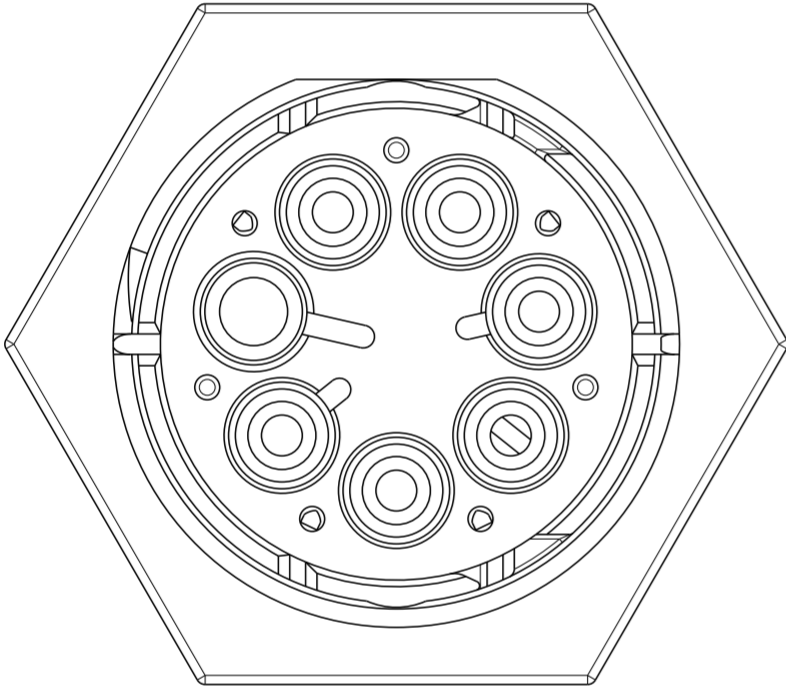
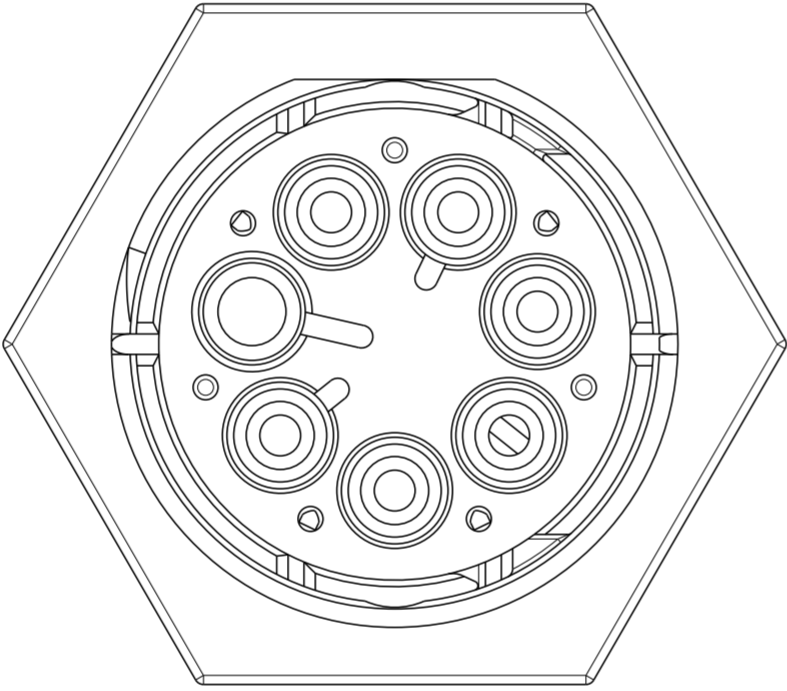
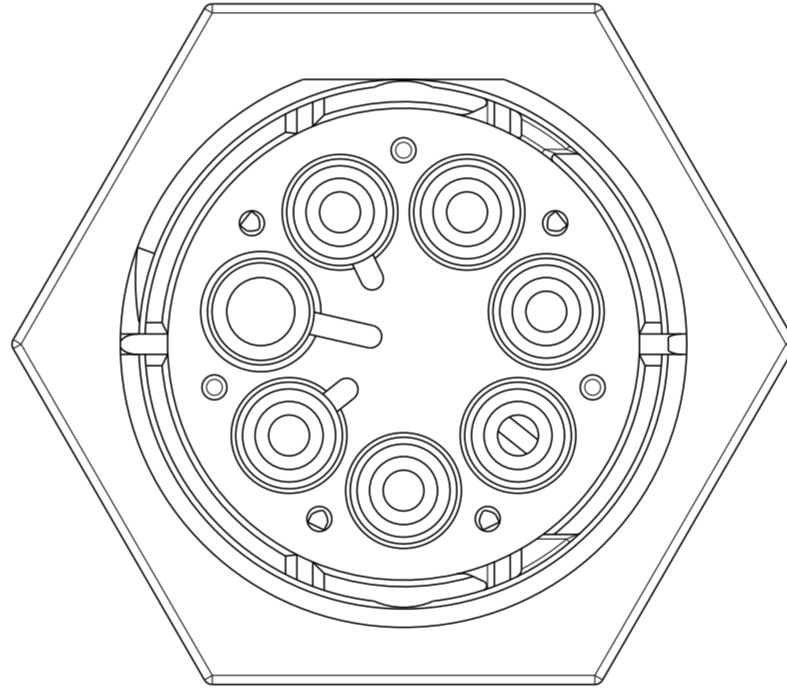

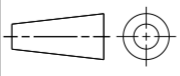
| POLARIZATION TYPE "C" | POLARIZATION TYPE "B" | POLARIZATION TYPE "C" |
|--|---|--|
|  |  |  |
| PNs 0-293673-3 AND 1-293673-3 | PNs 0-293673-4 AND 1-293673-4 | PNs 0-293673-5 AND 1-293673-5 |

TABLE 1

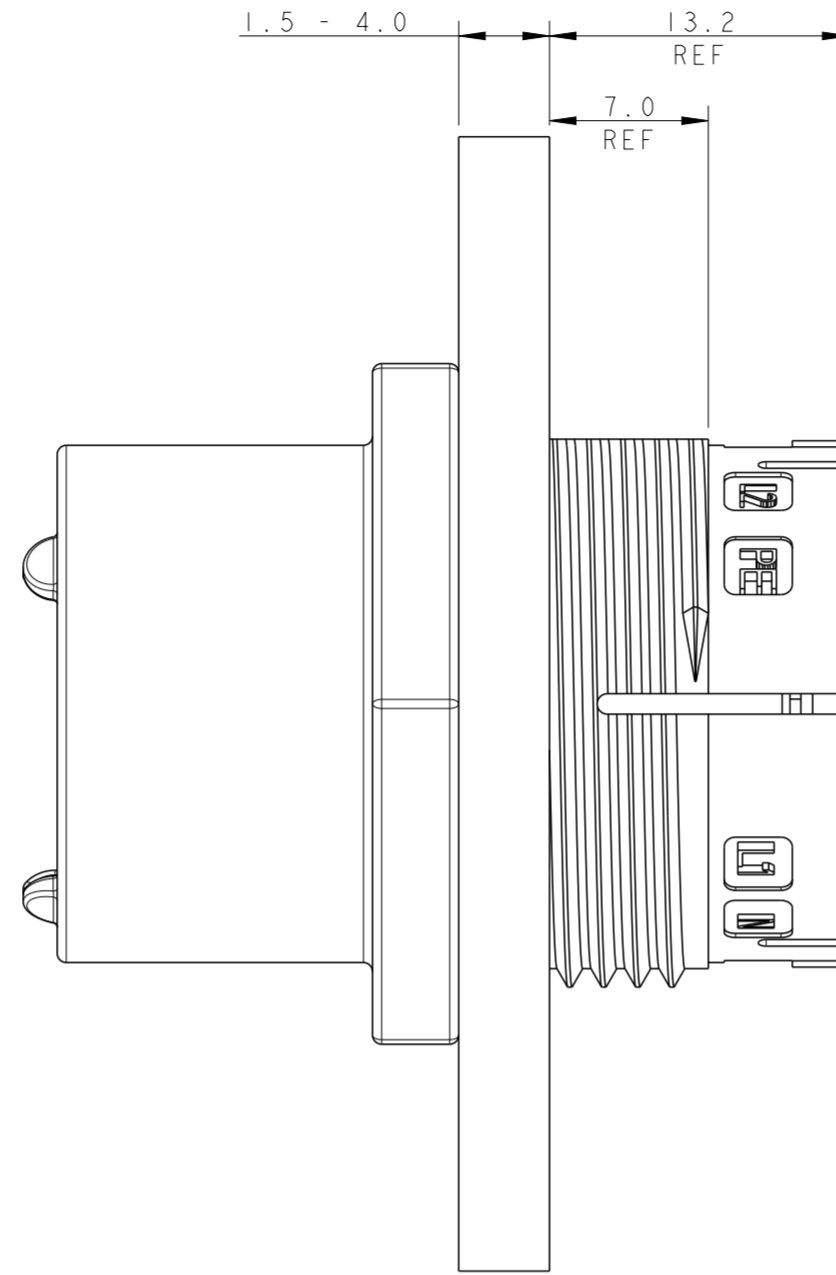
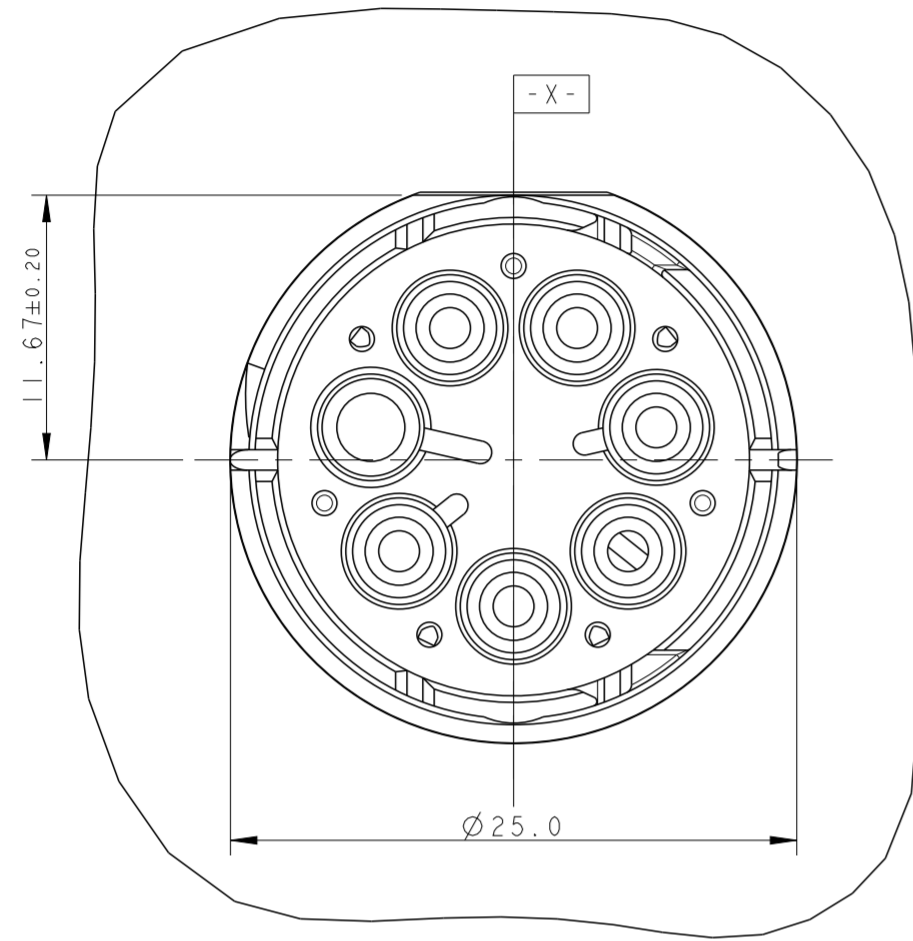
| NOTE | POL. KEYING | COLOUR | DESCRIPTION | REV. | P/N |
|------|-------------|---------|---|------|------------|
| 1 | E | BLACK | SOCKET HSG 6 POLES PANEL MOUNT NECTOR* M-LINE | A | 1-293673-5 |
| 1 | D | BLACK | SOCKET HSG 6 POLES PANEL MOUNT NECTOR* M-LINE | A | 1-293673-4 |
| 1 | C | BLACK | SOCKET HSG 6 POLES PANEL MOUNT NECTOR* M-LINE | A | 1-293673-3 |
| 1 | E | NATURAL | SOCKET HSG 6 POLES PANEL MOUNT NECTOR* M-LINE | A | 0-293673-5 |
| 1 | D | NATURAL | SOCKET HSG 6 POLES PANEL MOUNT NECTOR* M-LINE | A | 0-293673-4 |
| 1 | C | NATURAL | SOCKET HSG 6 POLES PANEL MOUNT NECTOR* M-LINE | A | 0-293673-3 |

| | | | | |
|---|--|--------------------------------|---|-----------------------|
| THIS DRAWING IS A CONTROLLED DOCUMENT. | | DWN A. BERNARD 31MAR2011 |  TE Connectivity | |
| DIMENSIONS: mm | | CHK M. ZUCCA 31MAR2011 | | |
| TOLERANCES UNLESS OTHERWISE SPECIFIED: | | APVD G. TURCO 31MAR2011 | NAME SKT HOUSING 6 POLES PANEL MOUNT NECTOR M-LINE UNSEALED VERSION | |
|  | | PRODUCT SPEC 108-20324 | RESTRICTED TO | |
| MATERIAL | | APPLICATION SPEC 114-20169 | SIZE A200779 | CAGE CODE C-293673 |
| NOTE 1 | | WEIGHT - | SCALE 3:1 | SHEET 2 OF 3 |
| | | Customer Drawing | REV C | |

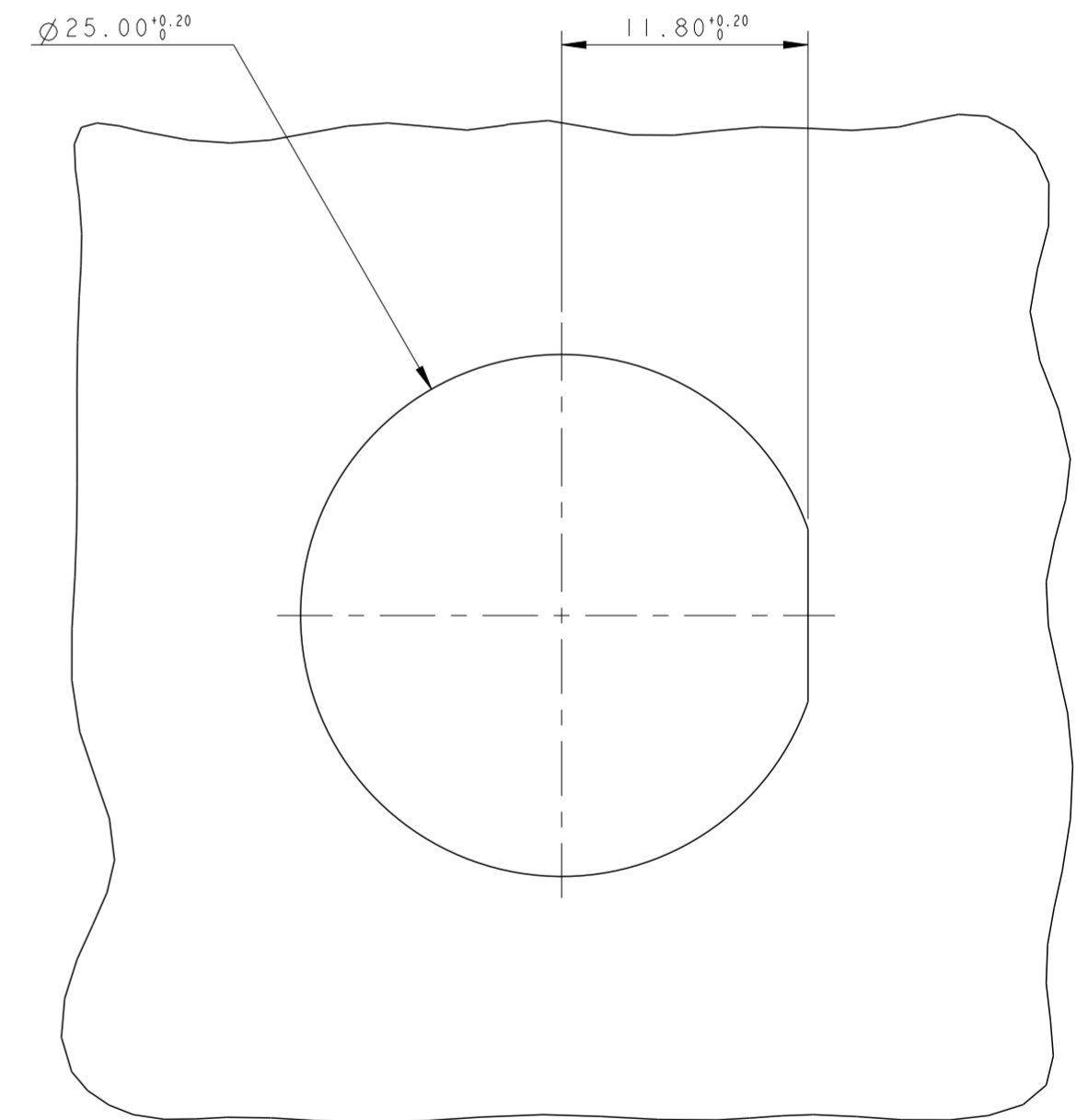
THIS DRAWING IS UNPUBLISHED. RELEASED FOR PUBLICATION 2011
 © COPYRIGHT 2011 BY - ALL RIGHTS RESERVED.

| LOC | | DIST | | REVISIONS | | | |
|-----|-----|-------------|------|-----------|------|--|--|
| P | LTR | DESCRIPTION | DATE | DWN | APVD | | |
| - | - | SEE SHEET 1 | - | - | - | | |
| | | | | | | | |
| | | | | | | | |

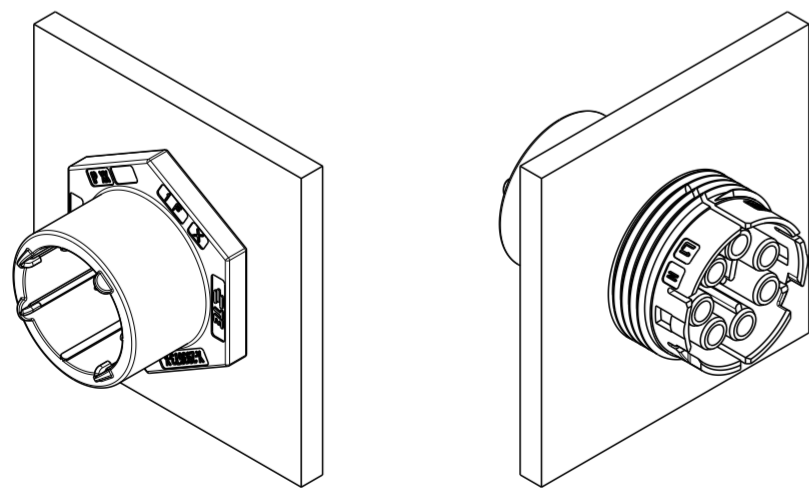
PN 293673-3 AS SHOWN




PANEL/WALL
SUGGESTED LAYOUT



3D VIEWS,
FOR REFERENCE ONLY
PN 293673-3 AS SHOWN



SCALE 1:1

| | | | | |
|--|--|---------------------------------|---|------------------------------|
| THIS DRAWING IS A CONTROLLED DOCUMENT. | | DWN A. BERNARDI 31MAR2011 |  TE Connectivity | |
| DIMENSIONS: mm | | CHK M. ZUCCA 31MAR2011 | | |
| TOLERANCES UNLESS OTHERWISE SPECIFIED: | | APVD G. TURCO 31MAR2011 | NAME SKT HOUSING 6 POLES PANEL MOUNT NECTOR M-LINE UNSEALED VERSION | |
| 0 PLC ± 1 PLC ±0.3 2 PLC ±0.20 3 PLC ± 4 PLC ± | | PRODUCT SPEC 108-20324 | SIZE 114-20169 | |
| ANGLES ±3° | | APPLICATION SPEC | RESTRICTED TO | |
| FINISH | | WEIGHT - | A200779 C-293673 | |
| NOTE 1 | | Customer Drawing | | SCALE 3:1 SHEET 3 OF 3 REV C |